

Please read and save these instructions. Read through this owner's manual carefully before using product. Protect yourself and others by observing all safety information, warnings, and cautions. Failure to comply with instructions could result in personal injury and/or damage to product or property. Please retain instructions for future reference.



FLOOR MOUNTED SPRING COMPRESSOR

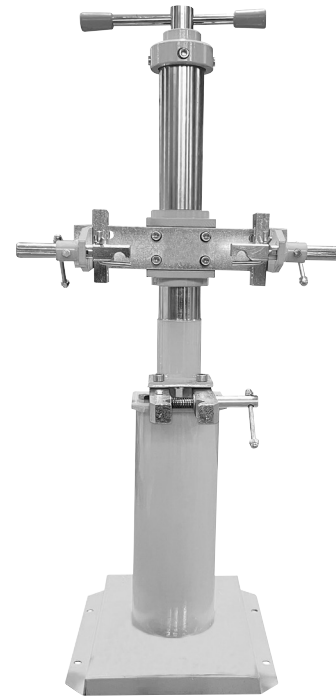
FOR CUSTOMER SERVICE

Technical Question?

CALL 901-370-1101
customerservice@oem-tools.com

UNPACKING

After unpacking the unit, inspect carefully for any damage that may have occurred during transit. Check for loose, missing, or damaged parts. If any damage is observed, a shipping damage claim must be filed with the carrier. DO NOT use the OEMTOOLS® 37037 Floor Mounted Spring Compressor if broken, bent, cracked or damaged parts (including labels) are noted. Any Spring Compressor that appears damaged in any way, operates abnormally or is missing parts should be removed from service immediately. If you suspect that the Spring Compressor was subjected to shock load (a load that was dropped suddenly, unexpectedly, etc.) Immediately discontinue use until it has been checked by a factory authorized service



⚠ WARNING

The following safety information is provided as a guideline to help you operate your Spring Compressor under the safest possible conditions. Any tool or piece of equipment can be potentially dangerous to use when safety or safe handling instructions are not known or not followed. The following safety instructions are to provide the user with the information necessary for safe use and operation. Please read and retain these instructions for the continued safe use of your Spring Compressor. Failure to follow instructions listed below may result in serious injury. In addition, make sure that anyone who uses the equipment understands and follows these safety instructions as well.

Explanation of Safety Signal Words

⚠WARNING: Indicates a potentially hazardous situation which, if not avoided, could result in death or serious injury.

⚠CAUTION: Indicates a potentially hazardous situation which, if not avoided, may result in minor or moderate injury.

CAUTION: Used without the safety alert symbol indicates a potentially hazardous situation which, if not avoided, may result in property damage.

NOTES: Provide clarity and helpful information.

Thank you very much for choosing an OEMTOOLS® Product!

For future reference, please register your new tool at www.oem-tools.com and complete the owner's record below:

Model: _____ **Purchase Date:** _____

Save the receipt, warranty and these instructions. It is important that you read the entire manual to become familiar with this product before you begin using it. This product is designed for certain applications only. OEMTOOLS® cannot be responsible for issues arising from modification. We strongly recommend that this product is not modified and/or used for any application other than that for which it was designed. If you have any questions relative to a particular application, DO NOT use the product until you have first contacted customer service to determine if it can or should be performed on the product.

⚠WARNING: This product can expose you to chemicals which are known to the State of California to cause cancer and birth defects or other reproductive harm. For more information go to www.P65Warnings.ca.gov.



FLOOR MOUNTED SPRING COMPRESSOR

! IMPORTANT INSTRUCTIONS AND SAFETY RULES

1. Know your product. Read this manual carefully. Learn the product's applications and limitations, as well as potential hazards specific to it. The use of this product is simple and straightforward if you follow the instructions. When operating this product, use common sense and only use this product for its intended purpose.
2. Maintain labels and nameplates on this product. These carry important information. If unreadable or missing, contact OEMTOOLS® for a replacement.
3. Maintain this product with care. Keep it dry and clean – and free from brake fluid, oil, and grease (if applicable).
4. Check for damage. Check your product regularly. If part of the product is damaged, it should be carefully inspected to make sure that it can perform its intended function correctly. If in doubt, the part should be repaired. Refer all servicing to a qualified technician. Consult your dealer for advice.
5. Check for misalignment or binding of moving parts, breakage of parts, and any other condition that may affect the product's operation.
6. DO NOT use a damaged product. Tag damaged products "DO NOT USE" until repaired. If damaged, have the product serviced before using. Many accidents are caused by poorly maintained products.
7. Service must be performed only by qualified repair personnel. Service or maintenance performed by unqualified personnel could create a risk of injury.
8. When servicing a product, use only identical replacement parts. Use of unauthorized parts or failure to follow maintenance instructions could create a risk of injury.
9. Use only accessories that are recommended by the manufacturer for your model. Accessories that may be suitable for one product may become hazardous when used on another product.
10. Keep work area clean and well lit. Cluttered or dark work areas invite accidents.
11. Maintain a safe working environment. Keep the work area well lit. Make sure there is adequate surrounding workspace. Keep the work area free of obstructions, grease, oil, trash, and other debris. DO NOT use this product in a damp or wet location.
12. Keep children away from the work area. Never let a child handle this product without strict adult supervision.
13. Store this product out of the reach of children and untrained persons. This product may be dangerous in the hands of untrained users.
14. DO NOT operate this product if under the influence of alcohol or drugs. Read warning labels on prescriptions to determine if your judgment or reflexes are impaired while taking drugs. If there is any doubt, DO NOT attempt to operate.
15. Use safety equipment. Eye protection should be worn at all times when operating this product. Use ANSI approved safety glasses. Everyday eyeglasses are NOT safety glasses. Dust mask, non-skid safety shoes, hard hat or hearing protection should be used in appropriate conditions.
16. Wear proper apparel. Loose clothing, gloves, neck-ties, rings, bracelets or other jewelry may present a potential hazard when operating this product. Keep all apparel clear of the product.
17. DO NOT overreach. Keep proper footing and balance at all times when operating this product.
18. Keep away from flammables. DO NOT attempt to operate this product near flammable materials or combustibles. Failure to comply may cause serious injury or death.
19. Avoid accidental fire and/or explosion. DO NOT smoke near engine fuel and battery components.
20. We believe the information contained herein to be reliable. However, general technical information is given by us without charge and the user shall employ such information at their own discretion and risk. We assume no responsibility for results or damages incurred from the use of such information in whole or in part. Always refer to specific instructions and technical information supplied by vehicle manufacturer.
21. The manufacturer declines any and all responsibility for property damage or injury if said damage is the result of unskillful handling by the operator or of failure to observe the basic safety rules set forth in the instruction manual.
22. The warnings, precautions, and instructions discussed in this manual cannot cover all possible conditions and situations that may occur. The operator must understand that common sense and caution are factors which cannot be built into this product, but must be supplied by the operator.

PRODUCT DESCRIPTION

The OEMTOOLS® 37037 Floor Mounted Spring Compressor is used for the replacement and installation of components in strut-style vehicle suspension systems.



FLOOR MOUNTED SPRING COMPRESSOR

SPECIFIC SAFETY INSTRUCTIONS AND WARNINGS

COIL SPRING APPLICATION GUIDE

- (A) Maximum coil wire diameter shall not exceed 5/8" (15 mm)
- (B) Maximum spring height shall not exceed 19" (48CM)
- (C) Acceptable spring diameter is 3.5" (88 mm) to 8.75" (222 mm)
- (D) Maximum compression capacity not to exceed 2,200 Lb. (997 KG)

▲WARNING: Study, understand, and follow all instructions before operating this device.

1. Always wear ANSI 287.1 approved eye protection and appropriate personal protective equipment (PPE) as required by OSHA regulations.
2. Do not allow user or bystander in front of this device while compressing the spring.
3. Do not exceed rated capacity. Use only for springs within coil and wire size limits.
4. Securely fasten the jaws to the spring. Ensure sliding hooks, jaws and components are firmly secured before compressing the spring.
5. Position the spring to compress evenly.
6. Do not use the bearing plate to compress the spring.
7. Do not use this device if it has worn or damaged components. Replace components immediately.
8. Do not compress strut springs exhibiting corrosion or damage.
9. If the spring is difficult to compress, or it bows or tilts, or a safe setup has not been achieved, release the spring and reposition
10. Compress the spring only enough to remove pressure from the spring seats. NEVER over compress a spring coil.
11. Do not loosen the strut piston rod nut if there is pressure on the spring mounting.
12. Do not leave the spring compressed.
13. Make sure the piston rod nut is fully engaged and tightened before releasing the compressed spring.
14. Do not alter, modify or change any components on this device.
15. Only attachments and adapters supplied by the compressor manufacturer shall be used.
16. A compressed coil spring is very dangerous. Failure to heed and understand these instructions and warnings may result in personal injury and/or property damage.
17. This TOOL has and creates Multiple Pinch Points. It may come lose with Extreme Force. There is a chance of parts being shot at high speeds. This could cause serious injury or death to the operator or bystanders. Keep hands, feet and all other body parts clear at all times.
18. If you are not confident you can complete the job safely, have a certified technician who is familiar with the front suspension of the vehicle complete the work due to potential safety dangers.

ASSEMBLY INSTRUCTIONS

Refer to the Parts Breakdown and Drawings on the following pages to identify components to be assembled.

PARTS BREAKDOWN

(Refer to the following page for illustrations.)

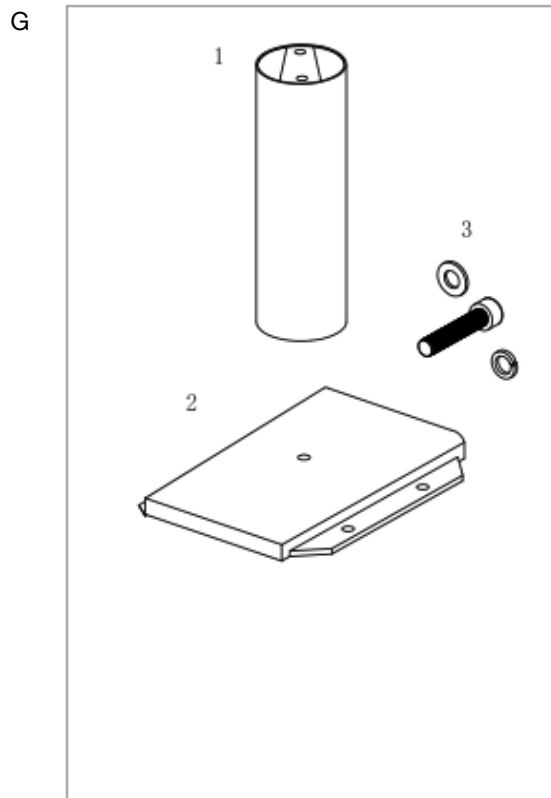
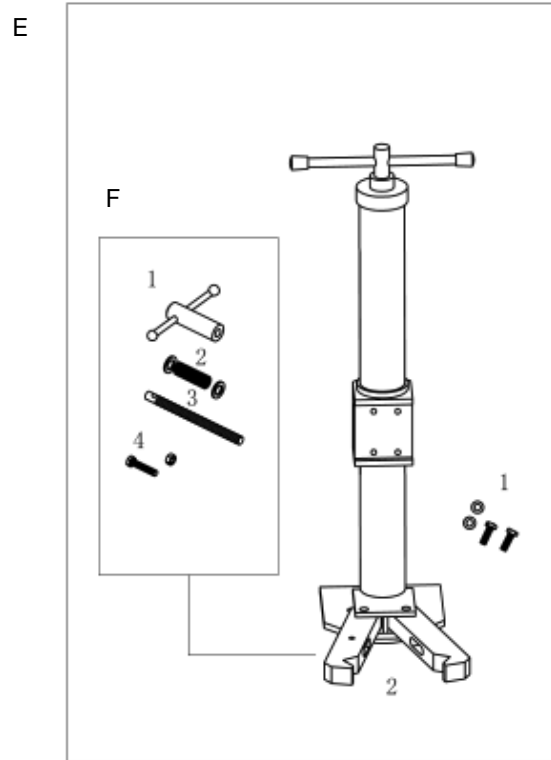
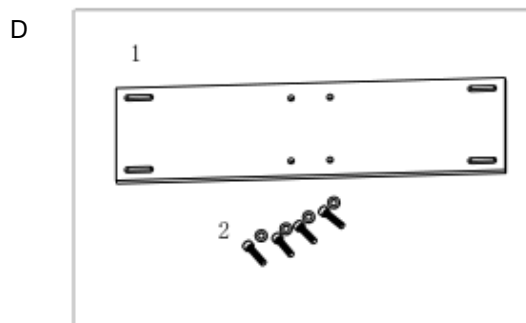
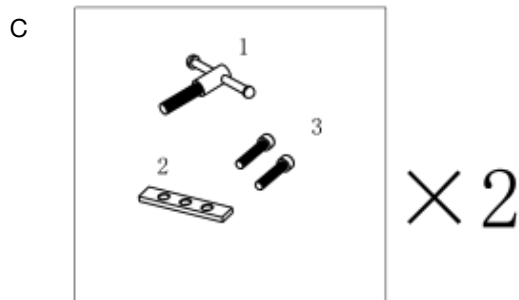
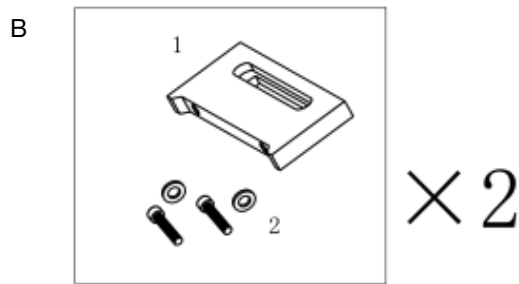
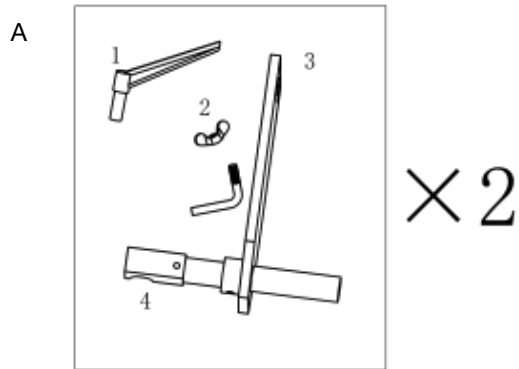
- A. Sliding Hook Bracket Assembly
 1. Sliding spring hook lock bolt
 2. Spring keeper and wing nut
 3. Sliding spring hook bracket
 4. Sliding spring hook
- B. Slotted Connection Bracket
 1. Slotted connection bracket base
 2. Hex socket bolts
- C. Sliding Hook Bracket T-Handle and Slide
 1. Sliding hook bracket T-Handle
 2. Three-hole threaded insert
 3. Hex socket bolts
- D. Main Compressor Plate

NOTE: The unit may come with the Main Compressor Bracket already attached to the Upper Spring Compressor Assembly.
- E. Upper Spring Compressor Assembly
 1. Mounting bolts and washers
- F. Lower Jaw Clamp and Tension Spring
 1. Hollow T-Handle
 2. Tension spring and washers
 3. Eye bolt
 4. Keeper bolts and washer
- G. Floor-Mounted Base
 1. Base tube
 2. Base plate
 3. Mounting bolt



FLOOR MOUNTED SPRING COMPRESSOR

PARTS ILLUSTRATIONS

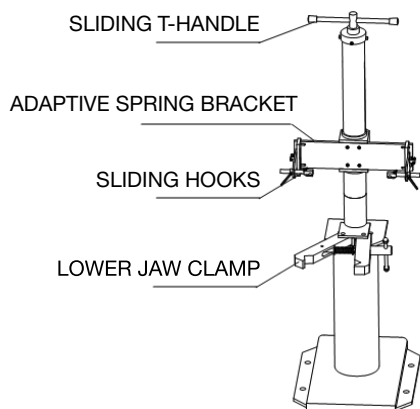




FLOOR MOUNTED SPRING COMPRESSOR

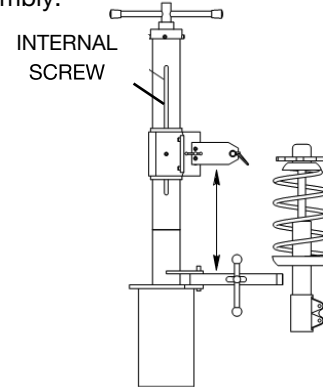
ASSEMBLY INSTRUCTIONS

1. Attach the Base Tube (G1) to the Base Plate (G2) with hex socket bolt and washers (G3) provided.
2. Bolt the Upper Spring Compressor Assembly (E) to the assembled Floor-Mounted Base (G) with the provided bolts and washers (E1).
3. To install the Lower Jaw Tension Spring between the two jaws (F2), begin by sliding the Eye Bolt (F3) through the outside of one jaw (E2).
4. Before placing the bolt through the other jaw, slide on one washer, the tension spring and the other washes (F2) in that order.
5. Holding the back of the Eye Bolt (F3), compress the other jaw (E2), exposing the bolt. Thread the Hollow T-Handle (F1) on to the bolt.
6. Thread the bolt (F4) through the eye of the Eye Bolt(F3) and thread on the nut.
7. To assemble Adaptive Spring Bracket (items A, B, C and D), begin by aligning the threaded holes on the grooved rear side of the Slotted Connection Bracket Base (B1) with the horizontal slots of the Main Compressor Bracket (D). Attach (D1) to (E) with 4 (D2).
8. Thread in the hex socket bolts with washers (B2) and tighten, being sure to not over tighten.
9. To attach the Sliding Hook Bracket Assembly (A) to the Slotted Connection Bracket (B), place the Sliding Hook Bracket (A4) on the outside of the Sliding Connection Bracket (B1) and the Three-Hole Threaded Insert (C2) into the slotted hole of the connection bracket.
10. While holding those items in place thread a hex socket head bolt (C3) though the top hole, into the Three-Hole Threaded Insert (C2), then one through the bottom hole.
11. In the middle hole, insert, and thread in the Sliding Hook T-Handle (C1).
12. With the square end of the Sliding Hook (A4) inward, slide into the Sliding Hook Bracket (A3) with the groove facing the side with the threaded hole.
13. Thread the Sliding Spring Hook Lock Bolt (A1) into the threaded hole.
14. Place the threaded end of the Spring Keeper (A2) up through the bottom of the hole on the Sliding Spring Hook (A4) and thread on the wing nut.



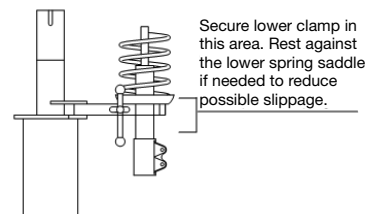
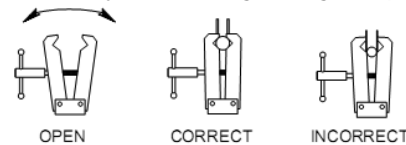
INSTRUCTIONS FOR USE

1. Turn the sliding T-handle to adjust the height of the Adaptive Spring Bracket to properly accommodate the strut assembly.



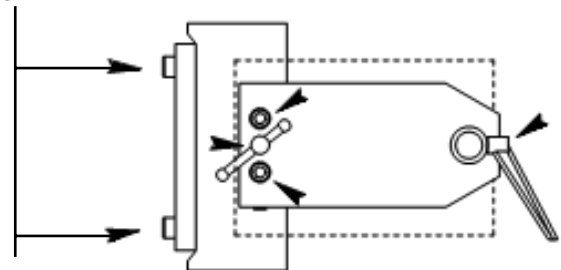
NOTE: Periodically, lubricate the internal screw to avoid damage to the threads.

2. Place the lower tube of the strut between the lower jaws and tighten to hold in place. It may be helpful to use the under-side of lower spring seat to keep the strut assembly from sliding during compression.



3. Loosen the sliding hook lock bolts, sliding hook T-handles, hex socket bolts, and spring keepers. Also, loosen the hex socket bolts for the slotted connection brackets.

POINTS OF ADJUSTMENT

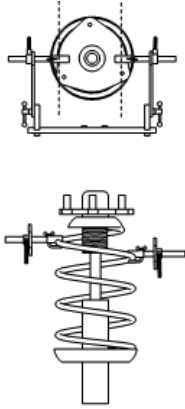


4. Adjust the sliding hooks to make proper contact with the spring.
5. Align the strut compressor so the assembly remains upright and not tilted. This could cause the strut to become dislodged during compression and leading to potential damage, injury, or even death.

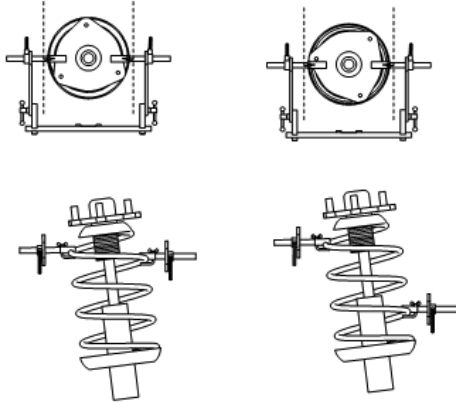


FLOOR MOUNTED SPRING COMPRESSOR

PROPER SETUPS



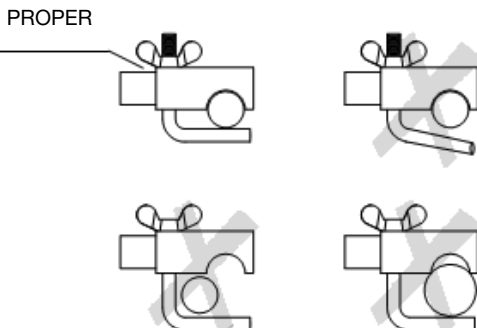
IMPROPER SETUPS



DO NOT use the bearing plate as a point of contact for compressing the strut. (See PROPER SETUP example.)

NOTE: When setting up the strut/spring prior to compressing it, sliding hooks will not usually align with each other due to the coil angles. Avoid having more than a one coil offset before compressing the spring. (See PROPER SETUP example.)

- Turn the spring keeper underneath of the coil wire and tighten the wing nuts to keep the spring from sliding during operation. Failure to do so could cause damage, injury, or possible death.



SPRING COIL WIRE SHOULD NOT EXCEED AN OUTER DIAMETER OF 5/8"(15 MM).

DO NOT proceed further if the coil wire is not fully seated into the spring hook. The "PROPER" example above is the only acceptable condition in which to continue operation.

- Once you have ensured the proper alignment, begin to tighten all points of contact, every fastener, and confirm the lower jaw is secure.

It is essential that all connections are tightened prior to spring compression. Failing to properly secure the connections could lead to premature wear or component failure that could lead to damage, injury, or possible death.

- Stand behind the unit before beginning to compress.

WARNING: NEVER leave a spring compressed unattended.

- Compress the strut spring by turning the sliding T-handle clockwise and counter-clockwise to release compression.

- Stop compressing when the spring is no longer in contact with the upper spring seat.

DO NOT over compress. Failure to comply can lead to damage, injury, or possible death.

STOP IMMEDIATELY if the unit becomes difficult to compress. Remove pressure from the assembly and confirm correct positioning before attempting again.

- Loosen the piston rod nut.

NOTE: It may be necessary to hold the strut shaft from spinning. If you intend to reuse the strut, lock the shaft in place in a manner that does not damage the polished surface.

WARNING: DO NOT remove strut shaft nut while the spring/strut is under any pressure. Failure to comply could lead to injury, damage, or possible death.

- If you held the strut in place with a clamp, remove it and bring the strut out from under the spring.

REASSEMBLY OF STRUT ASSEMBLY

- Reverse the process to reassemble.
- Tighten piston rod nut to manufacturer's/vehicle's specification.
- Release pressure and remove strut assembly from the spring compressor.

DISPOSAL

At the end of the useful life of the Spring Compressor, dispose of the components according to all state, federal, and local regulations.



FLOOR MOUNTED SPRING COMPRESSOR

WE STAND BEHIND OUR TOOLS. OEMTOOLS® 1 YEAR WARRANTY

If within 1 year from the date of purchase of this OEMTOOLS product, you find any defect in material or workmanship, through normal usage, return it to the place of purchase or to OEMTOOLS® for repair or replacement at our discretion. In order to obtain this service, send your tool and proof of purchase (transportation pre-paid) to:

OEMTOOLS® Q.A. Dept., 3580 E. Raines Road #3, Memphis, TN 38118.

We will not be responsible for lost or damaged goods during transportation; please insure your package. If our inspection verifies the defect, we will repair or replace the product, or we may elect to refund the purchase price if we cannot readily and quickly provide you with a replacement. We will return repaired products at our expense, but if we determine there is no defect, or that the defect resulted from causes not within the scope of our warranty, then you must bear the cost of returning the product.

OEMTOOLS® does not provide warranty for products labeled other than OEM® or OEMTOOLS®. OEMTOOLS® will not provide any warranty for products subjected to abnormal use. Abnormal use includes (but is not limited to) abuse, accident, alteration, neglect, and unauthorized or unreasonable use or repairs. This warranty does not cover bits, blades, files, batteries, or calibration. We recommend that you maintain your tools and sharpen or replace blades, bits, files, and batteries as necessary. OEMTOOLS® reserves the right to make any changes in construction or design at any time without any obligation in incorporating such changes to tools or equipment previously sold.

OEMTOOLS® makes every effort to ensure that its products meet high quality and durability standards, and warrants to the original purchaser that this product is free from defects in materials and workmanship. This warranty does not apply to damage due directly or indirectly to misuse, abuse, negligence or accidents, repairs or alterations outside our facilities, criminal activity, improper installation, normal wear and tear, or to lack of maintenance.

We shall in no event be liable for death, injuries to persons or property, or for incidental, contingent, special or consequential damages arising from the use of our product. Some states do not allow the exclusion or limitation of incidental or consequential damages, so the above limitation of exclusion may not apply to you. THIS WARRANTY IS EXPRESSLY IN LIEU OF ALL OTHER WARRANTIES, EXPRESS OR IMPLIED, INCLUDING THE WARRANTIES OF MERCHANTABILITY AND FITNESS. This warranty gives you specific legal rights, and you may also have other rights, which vary from state to state.

Please contact us at customerservice@oem-tools.com or call us at 901-370-1101 for additional information or questions.

Thank you for your purchase.

CONTACT US

3580 E. Raines Road, Suite 3, Memphis, TN 38118
Tel: 901-370-1101
www.oem-tools.com